

ALTO PHARMACY ISOLATOR

Helapet

A CliniMed® Group Company

Designed for ease of use and increased productivity



A Pharmacy Isolator with Variable Glove and Transfer Port Options

A Pharmacy isolator must provide a safe environment for the compounding of hazardous and sterile drug preparations. The flexible modular design of the ALTO provides this environment with the added benefit that it can also be used for antineoplastic, or cytotoxic compounding applications. Below are some of the key features:

Designed for operator protection

- Negative pressure to external environment
- 0.7m/s breach velocity through glove ports

Designed for ease of use

- 2, 3 or 4 glove front panel configurations, available in clear or lead acrylic with 200mm ports as standard
- Open frame allows seated operation with footrest support
- "User ready" isolator log in adjusts the isolator to the users saved settings, including height adjustment
- Fully automated leak test facility ensures a work ready isolator prior to work session starting

Designed for product protection

- EC GMP Grade A unidirectional air flow in the process chamber
- EC GMP Grade A turbulent air flow in the transfer chamber
- Fully sealed and interlocked transfer doors
- Clear audible and visual alarms via the integral touch screen control panel

ALTO PHARMACY ISOLATOR SPECIFICATION



Process chamber

- 2, 3 or 4 glove clear acrylic front panel (optional lead acrylic front panel available)
- 200mm glove ports
- 'True Flow' vertical unidirectional airflow system, EC GMP Grade A
- Ergonomically designed for seated use with footrest
- Stainless steel well for integration of a Capintec CRC 25R dose calibrator
- Stainless steel hanging rail

Transfer port

- Fully interlocked (timed) Type E transfer chamber
- EC GMP Grade A turbulent airflow
- Vacuum sealed doors, inner door is hinged for ease of use

Control system

- Simple to use, menu driven, touch screen control panel
- Audible and visual alarms
- Automatic leak test system, preset to be carried out prior to work session starting
- Battery backup (UPS) to protect key isolator functions in the event of power failure
- Test points for monitoring and validation
- Remote fault analysis diagnosis (requires connection into network)

General

- Positive or negative operating pressure
- All chambers manufactured from 316 bead blasted stainless steel – provided chemical cleaned
- All modules fitted with EU14 HEPA filters
- Electronically operated variable height base frame
- Continuous base to contain any spillages
- Adjustable integral external lighting sufficient to produce 500 lux at work surface

Optional equipment

- Lead acrylic front panels – varying thicknesses available
- 150mm – 250mm glove ports – round or oval
- Rear touch screen 19" panel completely sealed into rear panel of process enclosure
- Continuous monitoring and biological sampling ports
- Shielded viewing barrier
- Fully integrated Hydrogen Peroxide gas sterilisation system
- Glove leak tester
- Specialist waste bagging out port and bag sealing system for safe transfer of toxic materials



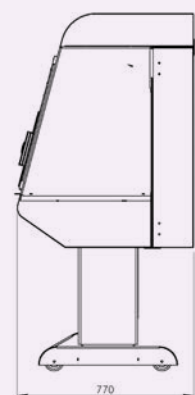
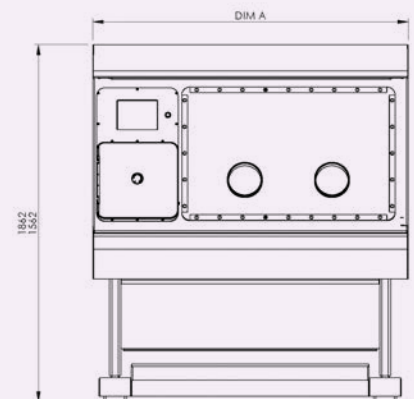
▲ Single or Double Transfer Chamber options



▲ 2, 3 or 4 glove clear acrylic front panel (optional lead acrylic front panel)

Dimensions

Gloves	Dimension A (mm)	
	Single Transfer Port	Double Transfer Port
2	1375	1750
3	1555	1930
4	1935	2310



Helapet Limited

Lister House, Blackburn Road, Houghton Regis, Bedfordshire, LU5 5BQ, England UK
Tel. +44 (0) 1582 501980 Fax. +44 (0) 1582 501981

E-mail. sales@helapet.co.uk www.cleanroomisolators.com

Helapet

A CliniMed® Group Company